

BR-30

PV DC Fuse Holder



- 1 Brand
- 2 Type
- 3 Rated Current
- 4 Rated Voltage
- 5 Fuse Size
- 6 Electrical Diagram
- 7 Status Indicator

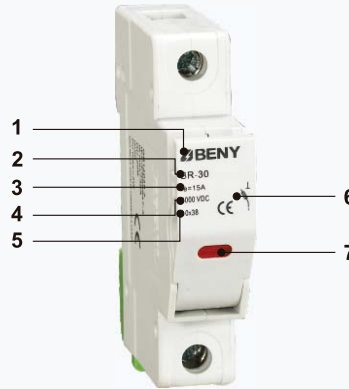
- Photovoltaic Applications
- Max Breaking Capacity up to 20KA, Effective Protection
- The Innovation Replacing Fuse Link Touch-safe
- Led Indicator, Reminding Fuse Link Replacement
- Be Suit for 10x38mm Fuse Size
- Comply with :IEC6094-3



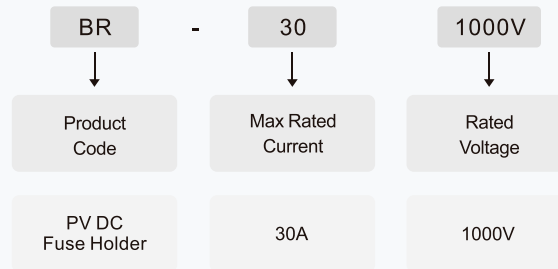
Application

ZBENY PV DC BR-30 Fuse Holder was designed and manufactured , complying with the standard IEC60947-3. The Rated Current up to 30A, rated voltage up to 1000V DC. It applied for PV DC combiner box, inverter etc, with the main function of over-current protection and effective disconnection.

Appearance Introduction



Type Instruction

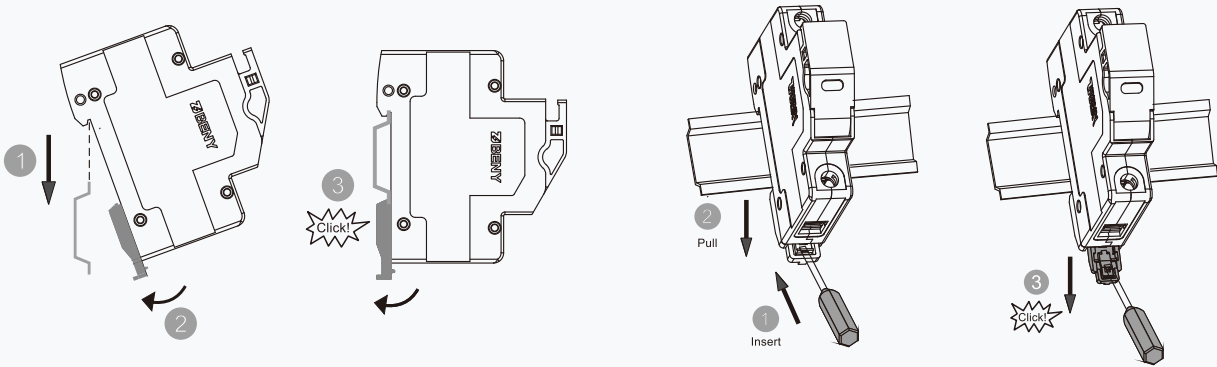


Parameter

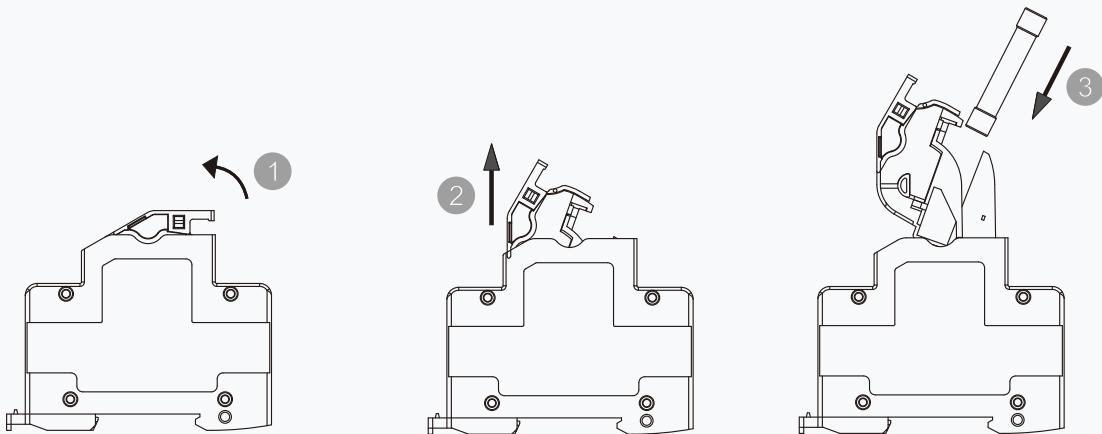
PV DC BR-30 Fuse Holder			
Pole			1P
According to			IEC 60947-3
Electrical Characteristics			
Rated Working Voltage	Ue		1000V DC
Rated Current	In	1A, 2A, 3A, 4A, 5A, 6A, 8A, 10A, 12A, 15A, 20A, 25A, 30A	
Breaking Capacity			20KA
Max Power Dissipation			3W
Control and Indication			
Operating State/Fault Indication			Indicator Light OFF/Indicator Light ON
Connection and Installation			
Wire			2.5mm ² ~25mm ²
Terminal Screws			M5
Torque	Nm		2.5
Degree of Protection			IP20
Installation Environment			
Fuse Size			10x38 mm
Operating Temperature Range	TU		-40°C ~ +85°C
For Mounting On			TH35-7.5/DIN35
Pollution Degree			3
Relative Humidity			+20°C≤95%, +40°C≤50%
Weight			0.07kg Per pole
Installation Class			III

BR-30 PV DC Fuse Holder

Installation



Replacement Fuse



Dimensions(mm)

