



PMX 1100V DC

PV fuse holder
for cylindrical fuse links

PMX 14x51



10x38



14x51



22x65

**PROTECTING
THE WORLD**





PMX 1100V DC

PV fuse holder
for cylindrical fuse links

14x51

PHOTOVOLTAIC

HORUS
PHOTOVOLTAIC
PROTECTION

14x51
RATED CURRENT 50A
RATED VOLTAGE 690V AC 1100V DC
MAXIMUM POWER DISSIPATION 6W
PROTECTION INDEX IP20

STANDARDS
IEC/EN 60269-1
IEC/EN 60269-2
UL 4248-1
UL 4248-19
UL 486E



**PATENTED
DESIGN**

Modular fuse holders that offer 1100V DC rated voltages

Modular fuse holder for cylindrical fuse link size 14x51 according IEC/EN 60269 standard.

Compact design, with reduced dimensions.

Ventilation zones optimized for a better heat dissipation.

Manufactured with a high quality materials

- Silver plated copper contacts.
- Plastic materials with high temperature resistance and self-extinguishable.
- All the materials are according to the European Directive RoHS.



Extended range of accessories is available.

Accessories

REFERENCE	DESCRIPTION	PACKING Uni /BOX
480005	PINS FOR MULTIPOLE ASSEMBLY	12
485356	PMX-14/22 HANDLE TIES FOR MULTIPOLE ASSEMBLY	12
485258	PMX-14 LOCK SUPPORT	5
485266	SPECIAL IP20 PROTECTION ACCESSORY PMX-14	12
485656	SCREW'S PROTECTION ACCESSORY	12
485271	PMX-14 SPECIAL ACCESSORY SCREW CONNECTION	12

Range

REFERENCE	INDICATOR	POLES	MODULES	PACKING Uni /BOX
485250	–	1P	1	6/90
485251	–	2P	2	3/45
485252	•	1P	1	6/90
485253	•	2P	2	3/45



PMX 1100V DC

PV fuse holder
for cylindrical fuse links

14x51

PHOTOVOLTAIC

HORUS[®]
PHOTOVOLTAIC
PROTECTION

Technical data

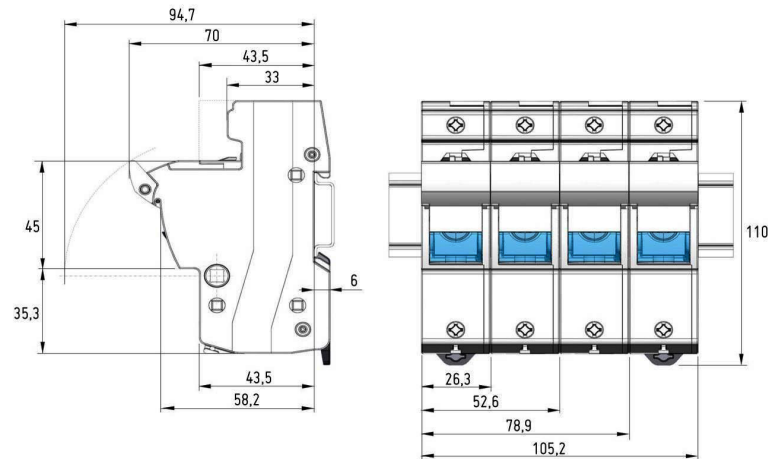
Rated current	50A
Rated voltage	690V AC 1100V DC
Maximum power dissipation	6W
Power dissipation per pole	80% $I_n > 0,52W$ 100% $I_n > 0,88W$
Utilization category as per EN 60947-3	690V > AC-21B 1100V DC > DC-20B
Pollution degree	3
Protection index *	IP20
Rated insulation voltage	6kV U imp
Ambient temperature of service	-20°C ... 70°C
Storage temperature	-40°C ... 80°C

Derating by number of poles	POLES	I_{MAX}
	1 ... 4	I_n
	5 ... 6	$0,8 \times I_n$
	7 ... 9	$0,7 \times I_n$
	≥ 10	$0,6 \times I_n$

Correction of the admissible current in function of the temperature	Temperature	Factor
	20° C	1
	30° C	0,95
	40° C	0,90
	50° C	0,80
	60° C	0,70
	70° C	0,60

* For wires of section $\leq 10\text{mm}^2$ is necessary the use of the accessory to guarantee IP20 in clamps zone. ► **FIG. 4**

Dimensions



Weight

1P	101gr
2P	202gr

Weight without packing

Standards

- IEC/EN 60269-1
- IEC/EN 60269-2
- UL4248-1 Fuse holders
- UL4248-19 Photovoltaic fuse holders
- UL486E Wiring terminals



Application characteristics

For mounting on DIN/EN standard rail

DIN 46277/1-3 (EN50022)
Clip fixation with 2 positions

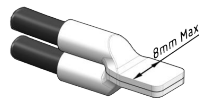
Connecting wire
Copper wires only

WIRES	METRIC	AWG	WIRING
1	1,5...35mm ² Solid	8....16 AWG Solid	
	1,5...25mm ² Stranded	6....16 AWG Stranded	
2 Same cross section and type	1,5...16mm ² Solid	6....16 AWG Solid / Stranded	
	1,5...10mm ² Stranded		

Wire-end terminals

The use of wire-end terminals may allow to increase the connecting wire section.

Wire-end terminals recommended mounting:



The use of wire-end terminals could not guarantee the IP20 protection degree.

Ferrules

It's recommended use of ferrules in wires with section $\leq 2,5\text{mm}^2$



The product is delivered with the terminals opened and ready to connect

Accessories

FIG. 1 | Multipolar assembly

Standard system by DF, 3 clips and 1 pin for each union between poles

- 480005** PINS FOR MULTIPOLE ASSEMBLY
- 485356** PMX-14/22 HANDLE TIES FOR MULTIPOLE ASSEMBLY

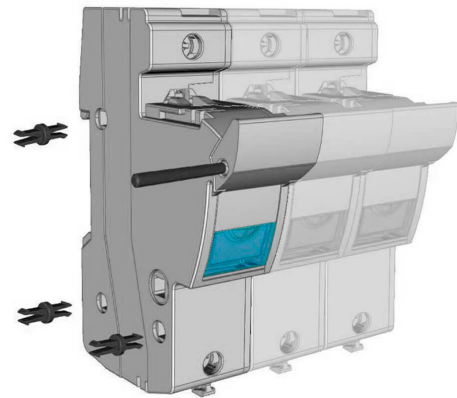
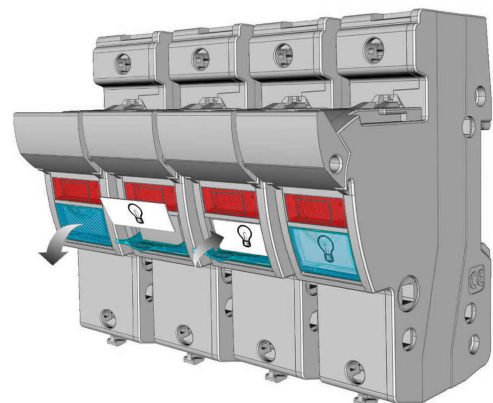


FIG. 2 | Identification by label

Open the label holder part when the fuseholder is totally closed or totally open, put on the label and close



Label measures **16x10mm**

Tightening torque on terminals	2,5...3 Nm / 22...27 lb.in
Screws with a combined head	SLOT + PZ2
Multipolar assembly	► FIG. 1
Fuse holders with fuse indicator	NEON VERSION 350...1100V DC
Label holder for a better circuit identification	► FIG. 2 Suitable size for label: 16x10 mm
Special zone for sealing	1,5 mm ² wire
Accessory available to lock the fuse holder by a padlock	► FIG. 3 (máx. 3 padlocks of Ø 3mm)



Accessories

FIG. 3 | Locking means a padlock

To avoid the operation and connection when the fuse holder is open, put on the accessory "Padlock support" sliding it for the guides, and covering the fuse link zone. (Is possible the use with or without fuse link)

Introduce the padlock trough the symmetrical holes and close it

485258 PMX-14 LOCK SUPPORT

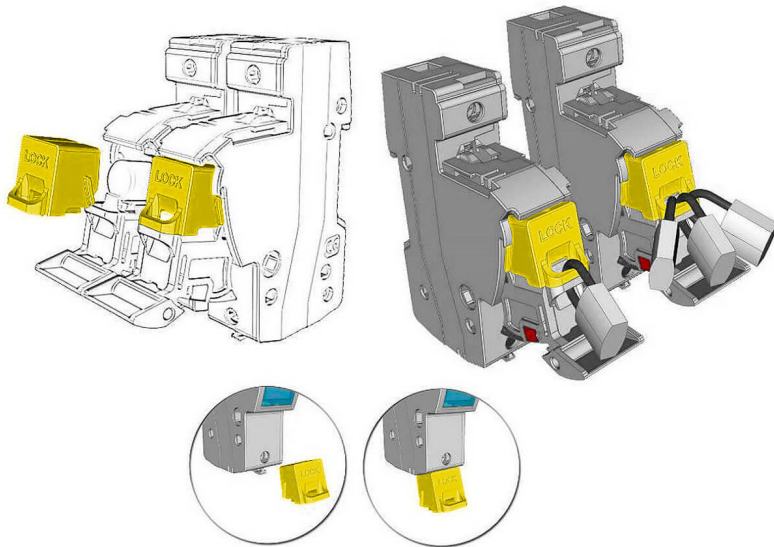


FIG. 4 | Special IP20 protection

The accessory must be positioned in the wire entries, if it's necessary to achieve the IP20 degree of protection with thin wires

485266 SPECIAL IP20 PROTECTION ACCESSORY PMX-14

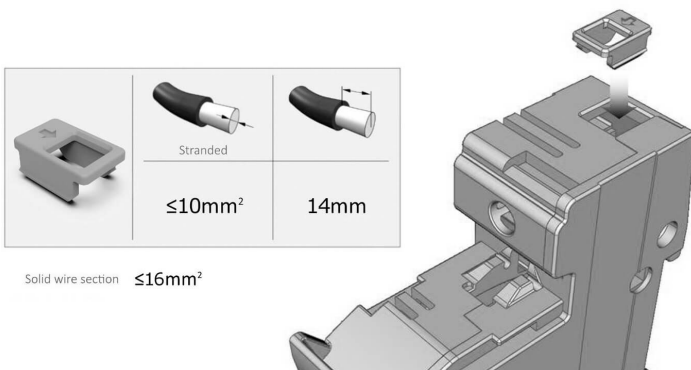
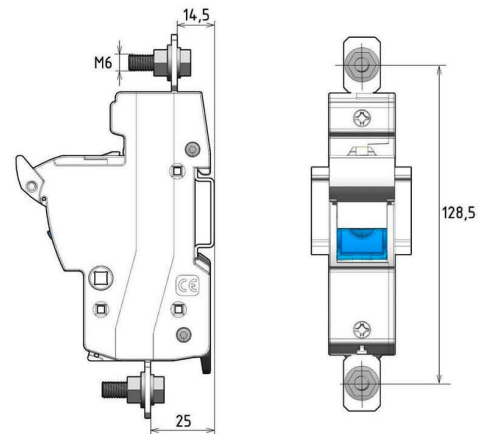
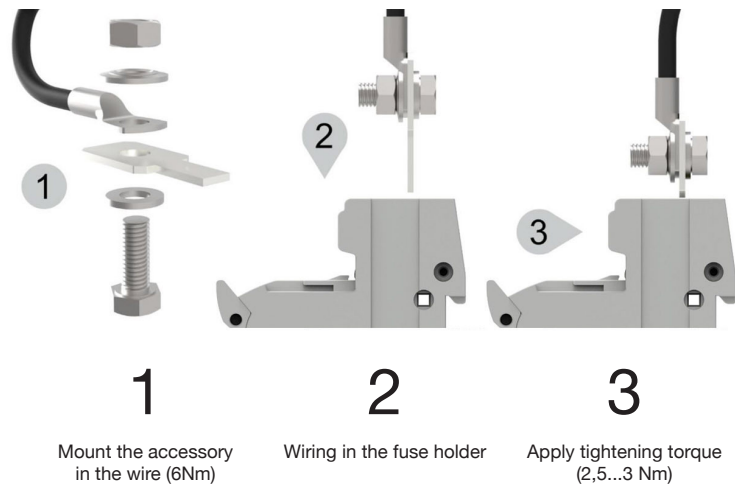


FIG. 5 | PMX-14 Special accessory screw connection

485271 PMX-14 SPECIAL ACCESSORY SCREW CONNECTION



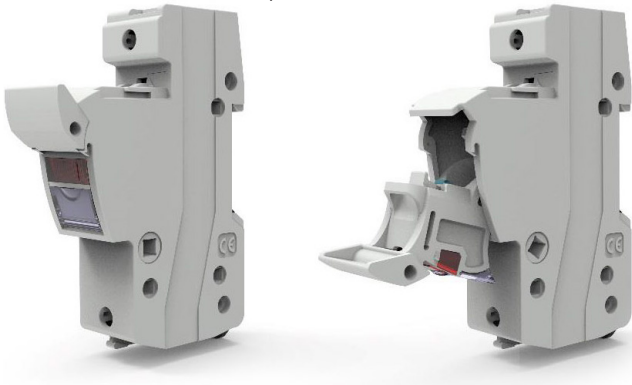


Accessories

FIG. 6 | Fusing indicator replacement instructions

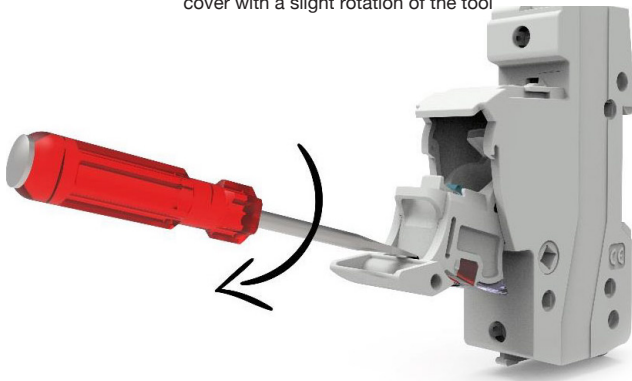
1

Open the fuse holder



2

Using a flat screwdriver, remove the cover with a slight rotation of the tool



3

Replace the fusing indicator and enter the cover on the handle

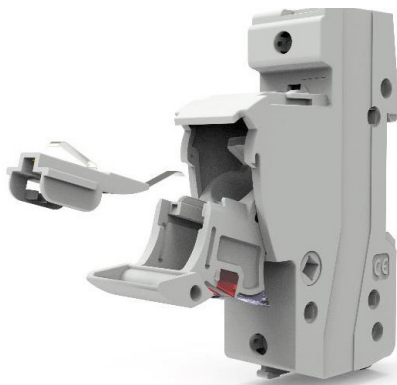
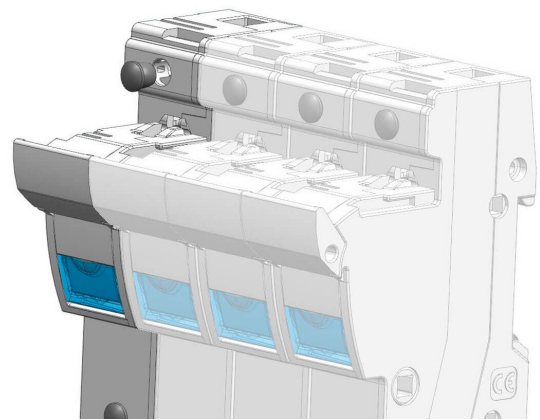


FIG. 7 | Screw's protection accessory

Protection accessory to avoid the screws manipulation and improve the protection degree

485656

SCREW'S PROTECTION ACCESSORY





HEAD OFFICE AND FACTORY

SILICI, 67-69
08940 CORNELLA DE LLOBREGAT
BARCELONA
SPAIN
Tel. +34 93 377 85 85
Fax +34 93 377 82 82

INTERNATIONAL SALES

Tel. +34 93 475 08 64
Fax +34 93 480 07 75
export@dfelectric.es

NATIONAL SALES

Tel. 93 475 08 64
Fax 93 480 07 76
comercial@dfelectric.es

dfelectric.es



The data reflected in this technical record are subject to the correct installation of the product in accordance with manufacturer's instructions, relevant installation standards and professional practices, maintained and used in applications for which they were made.

DF ELECTRIC retains the right to change the dimensions, specifications, materials or design of its products at any time with or without notice.

©2021 DF Electric. All rights reserved



PROTECTING THE WORLD

